

Digital Printer with Epson DX5 printheads


Model No : Digital Printer with Epson DX5 printheads

Product Name : Inkjet Solvent Printer

FOB Port : NINGBO PORT

Payment terms: T/T, L/C or negotiate

Contact Person : Ms.Suaad Fan

Delivery Lead Time : 7-20days

View PDF file :  Digital Printer with Epson DX5 printheads

View Word file :  Digital Printer with Epson DX5

printheads

The Detail Description of Digital Printer with Epson DX5 printheads :

Normal Printer:

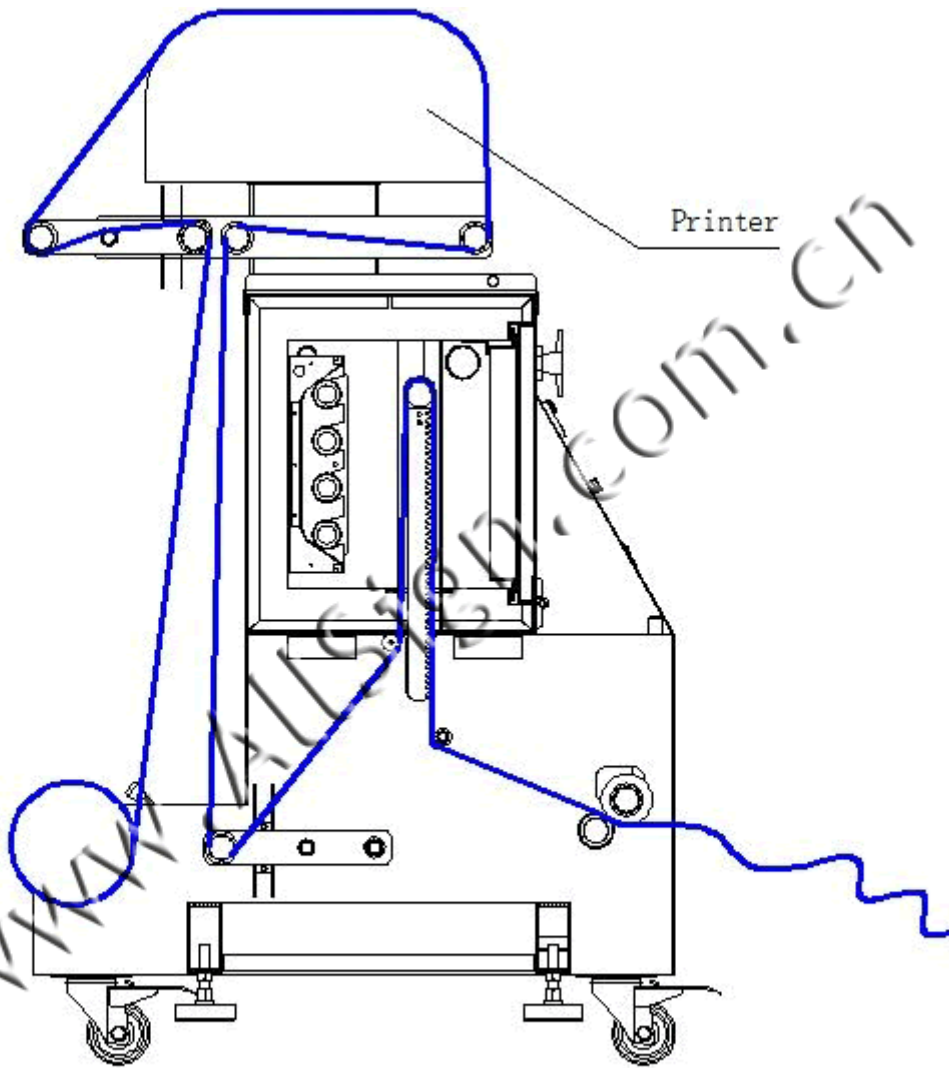
Production speed of 22 sqm/h;each pass width of 2 inches;3.5 pl micro piezo-electric print head;variable dot technology; the resolution is up to 1440 dpi; Standard Bi-language(Chinese & English) Professional iprint 3.0 RPI software;color management to be finished simultaneous. Linear Guide movement, X Y axis raster orientation, Light mode but rigid structure, total weight is 160KG, comparable with imported equipments. Adopt eco inks, intelligent front, middle, back three section heating system, accommodate adhesive vinyl, banner, mesh, PVC and new eco solvent inkjet material. Height adjustable print head, support auto blank skipping, maintain free continuously ink supplying system, inner flatbed vacuum device, vari-speed fan drying system.

Printhead	Mirco piezo dot-on-demand print head: 2;Á Epson DX5 printheads
	4 color : C M Y K
	Height adjustable range:2-5mm
Resolution(Max)	1440dpi
Printing width(Max)	1.8m
Printing speed	Draft model: 540*720dpi 50 sq. m./h
	Production model: 720*720dpi 26 sq. m./h
	High quality model: 720*1440dpi 14 sq. m./h
Heating system	Front, middle ,back three sections heating system ,PID temperature controller
	Adjustable range: room temperature~80
Drying system	Outer fan
Media	Max width:1.8m
	Media handling system: Auto media feeding, manual media releasing,Built-in variable adsorption
	Media type: Adhesive Vinyl, PVC, Mesh, Textile, Banner, Eco solvent inkjet paper etc.
Inks	ECO-Solvent Pigment Inks

	ECO-Solvent Sublimation Inks
	ECO-Solvent Dye Inks
	Ink Cartridge: 3500 ml, 8 pieces
RIP	iPrint 3.0 Professional Bi-language RIP(Chinese & English)
	From: Tiff, Jpeg etc
	PostScript file interpreter (optional)
Driver	Professional bi-language software (Chinese & English)
Interface	USB 2.0, RS 232
Working system	Windows XP
Input power	AC 220-240v 50/60 HZ
Working environment	1000W (max. power) 300W (normal working power)
	Temperature:20-25
	Humidity: 40-70%,non condensation
Physical specifications	Printer dimension:(L*W*H):2.84*0.9*1.25m(with stand)
	Packing dimension:(L*W*H):3*0.93*0.73m(with stand)
	Net weight: 160 KG(with stand)
	Gross weight: 240 KG(with stand)

Flag-making system





As printing as transfer