

## Xaar 128 Printhead



**Model No :** Xaar 128 Printhead

**Product Name :** Printhead

**FOB Port :** NINGBO PORT

**Payment terms:** T/T, L/C or negotiate

**Contact Person :** Ms.Suaad Fan

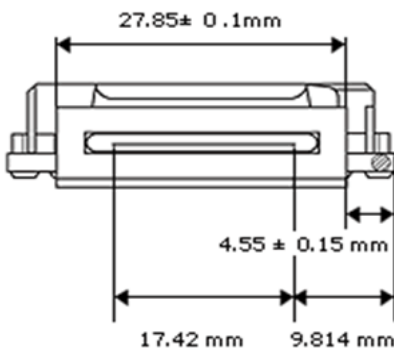
**Delivery Lead Time :** 7-20days

**View PDF file :**  [Xaar 128 Printhead](#)

**View Word file :**  [Xaar 128 Printhead](#)

### The Detail Description of Xaar 128 Printhead :

Compatible with a wide range of oil-based, solvent and dye sublimation inks, the XJ-128 is extensively utilised across the coding & marking and wide format graphics industries. It's a consistent and highly flexible inkjet solution for producing eye-catching marketing media.



Unique Features  
Market-leader  
Light and powerful  
Easy-to-integrate



Ningbo MEC Industry And Trade Co., Ltd.

Tel : 0086-574-66831478/ 87383760

Fax : 0086-574-87383750

Email : [sales@nbmec.com](mailto:sales@nbmec.com) , [sales@signmaker.cn](mailto:sales@signmaker.cn)

Website: : [www.nbmec.com](http://www.nbmec.com) , [www.signmaker.cn](http://www.signmaker.cn)

---



Please click [here](#) to view the datasheet.

If you have any further inquiry, please fell free *Mail to me*

[Http://www.signmaker.cn](http://www.signmaker.cn)

---

Address : 3F,NO.333 DAZHA ROAD JIANGBEI DISTRICT,  
NINGBO ZHEJIANG,,P.R.CHINA      Postal code: 315020

Tel: (86) 574 66831478/87383760. Fax: (86) 574 87383750